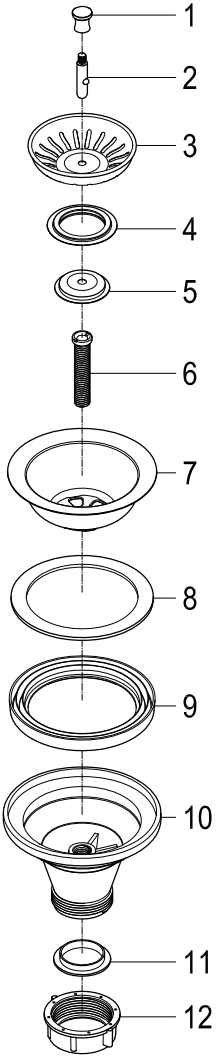
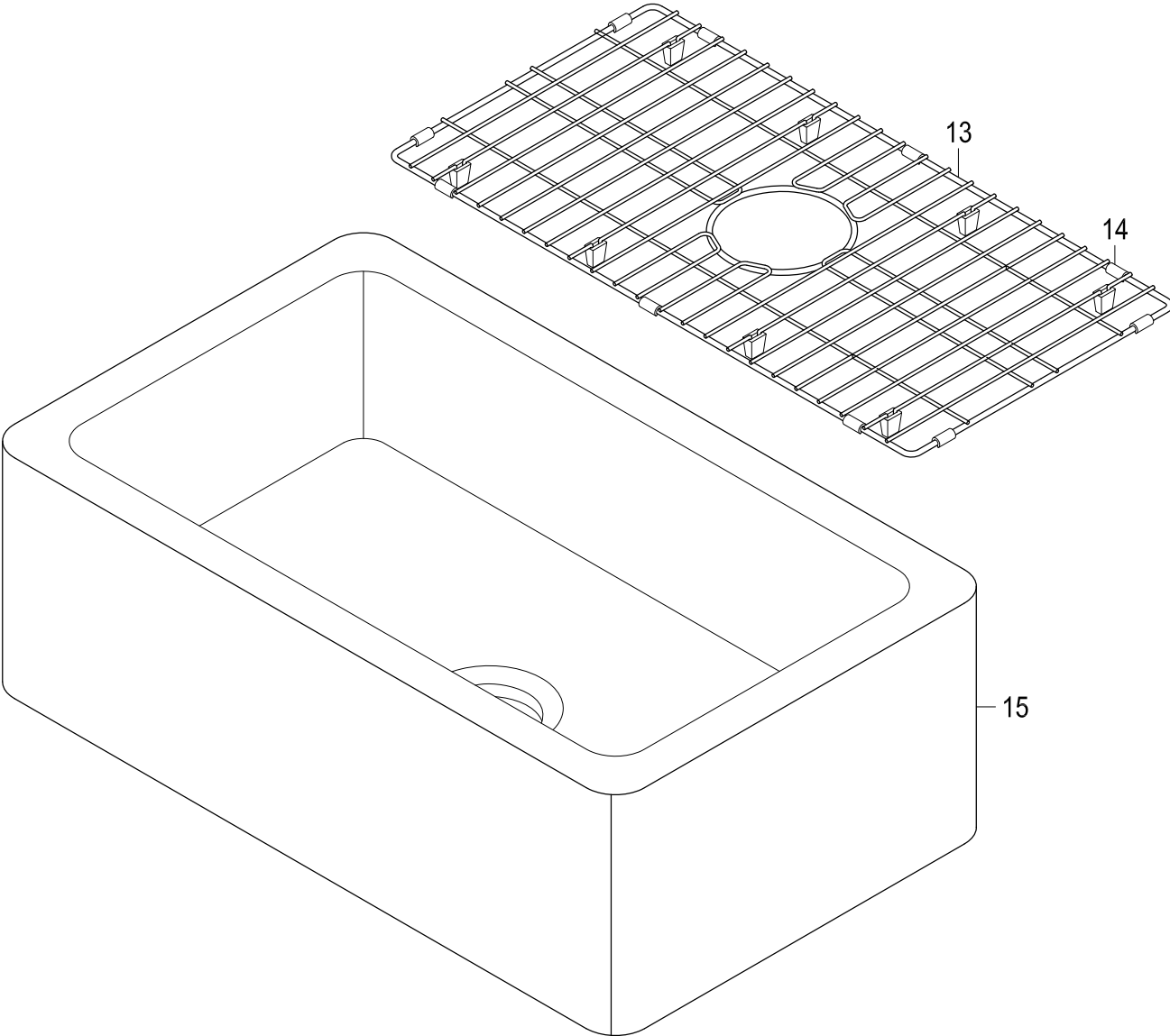


# KGPF311910EBC, YBC, KBC

Ceramic Farmhouse Single Bowl Sink



| Part # | QTY |
|--------|-----|
| 1.     | 1   |
| 2.     | 1   |
| 3.     | 1   |
| 4.     | 1   |
| 5.     | 1   |
| 6.     | 1   |
| 7.     | 1   |
| 8.     | 1   |
| 9.     | 1   |
| 10.    | 1   |
| 11.    | 1   |
| 12.    | 2   |
| 13.    | 1   |
| 14.    | 10  |
| 15.    | 1   |