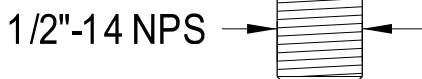
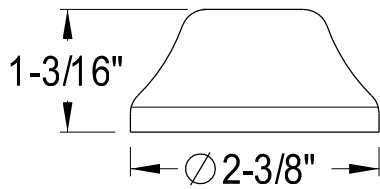
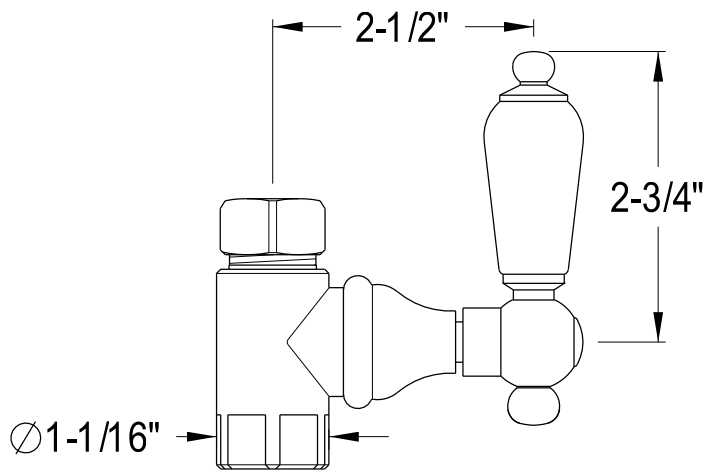
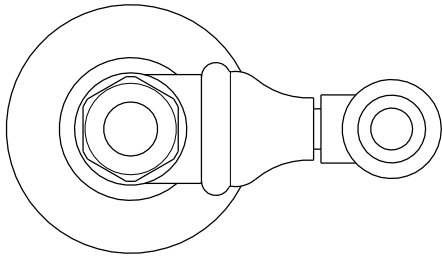


CCK44151, 2, 5, 8PL

Quarter Turn Valves, 1/2" FIP x 1/2" O.D. Comp



1/2" O.D. Comp

