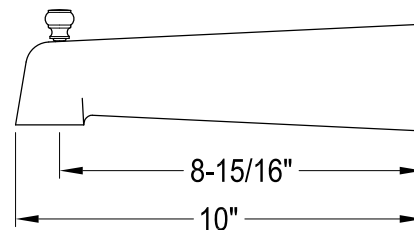
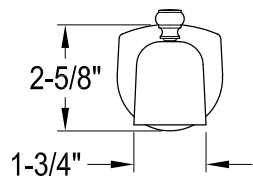
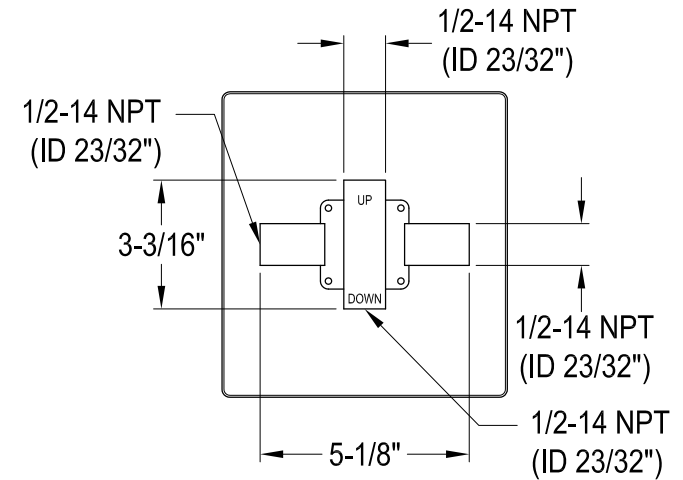
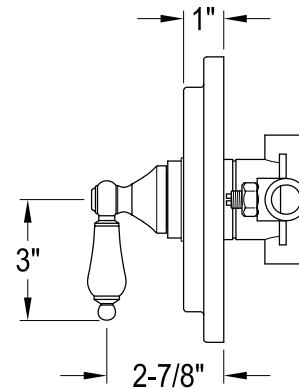
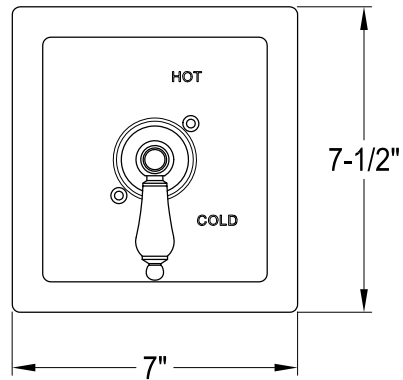
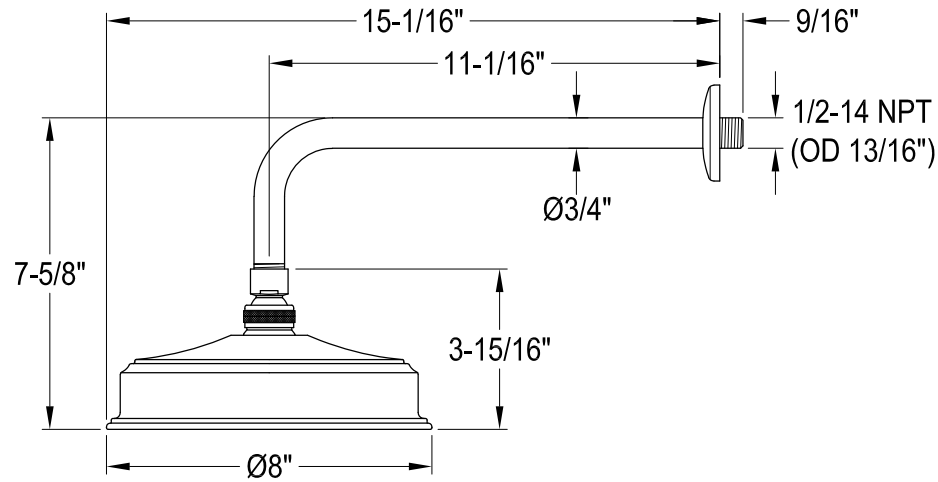
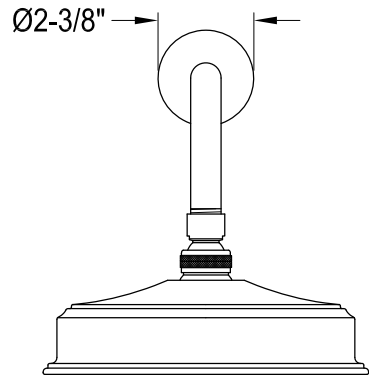


KB5890, 1, 2, 3, 7, 8PL

Single Handle Pressure Balanced Tub & Shower Faucet



Fit 1/2" Copper Pipe (OD 5/8")
or 1/2-14 NPT (ID 23/32")
or 3/4-14 NPT (ID 15/16")