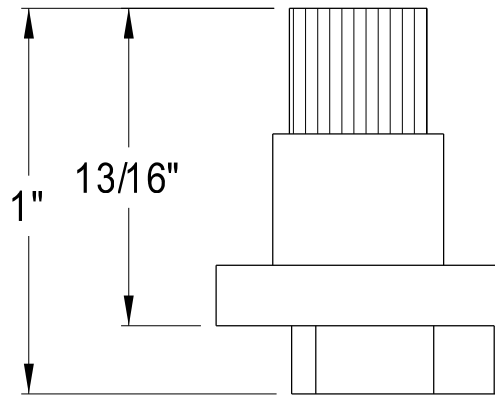
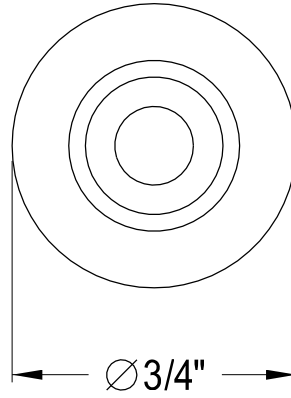


KBRP1601EXAC

Adapter, Cold



D Type

