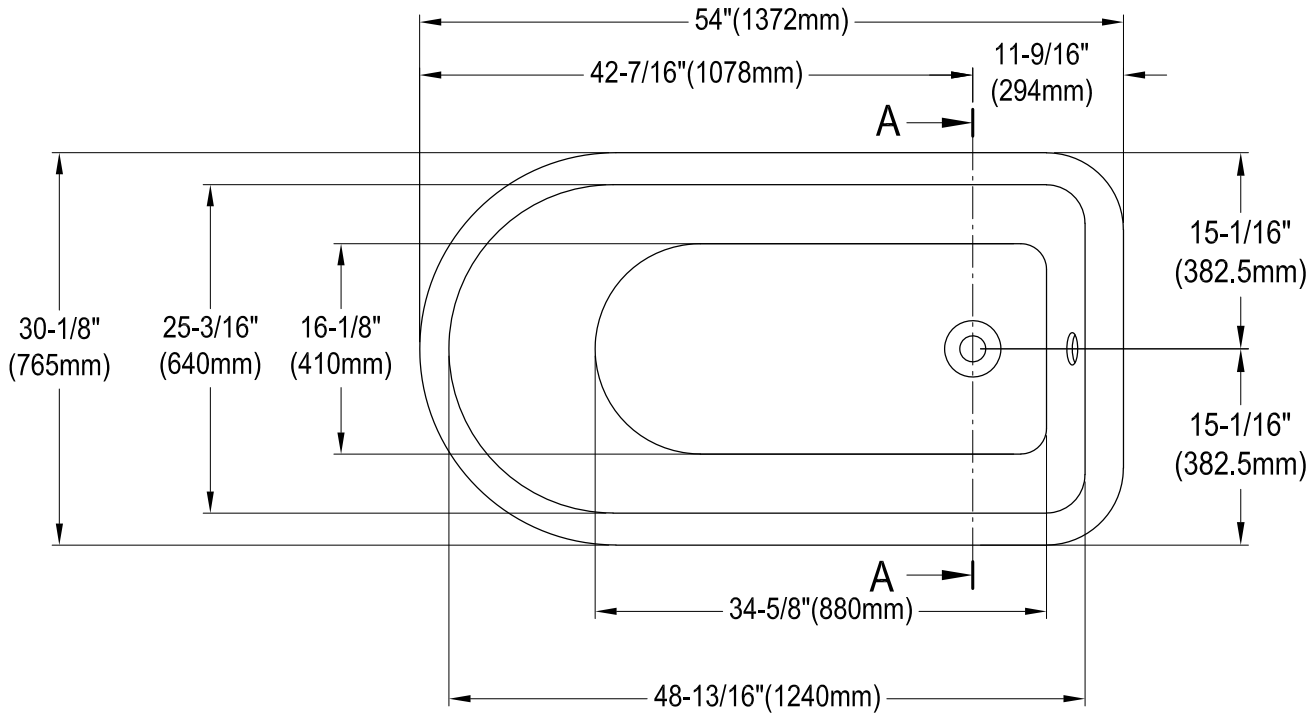


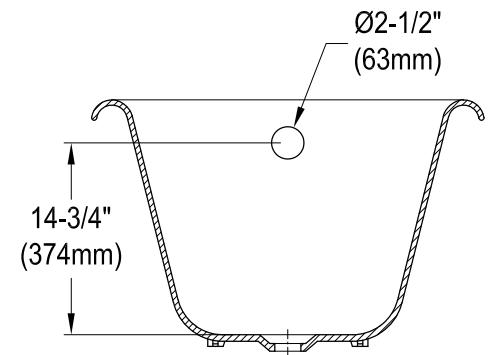
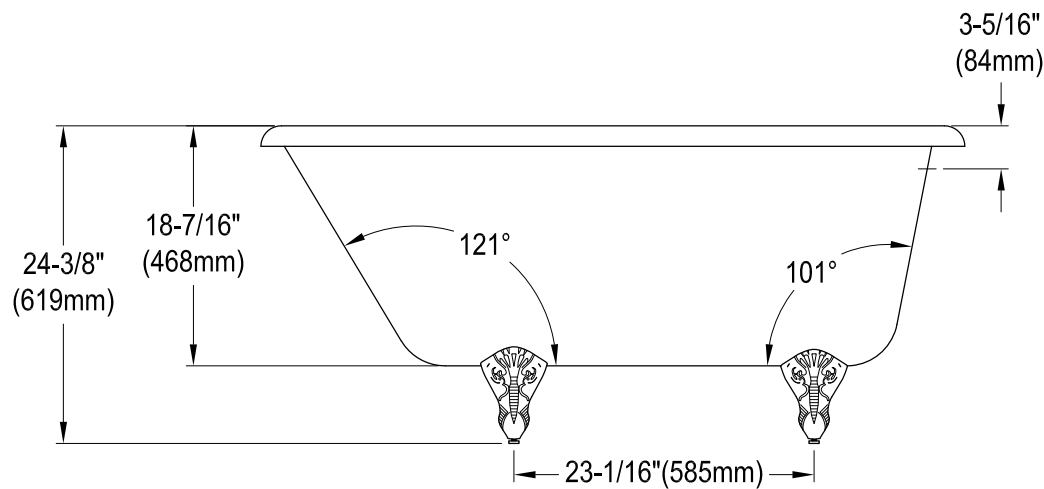
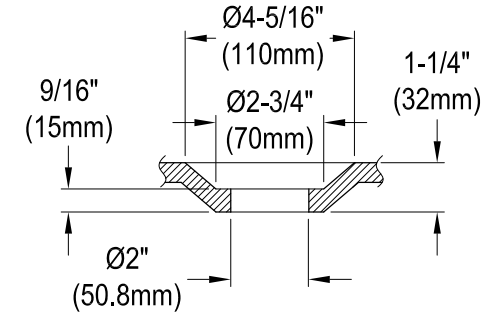
# VCTND543019W1,5,6,7,8,H

54" Cast Iron Tub



## Drain Hole Size

Scale (3:1)



## Section A-A