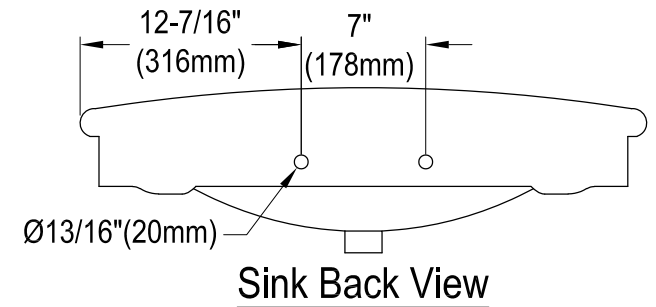
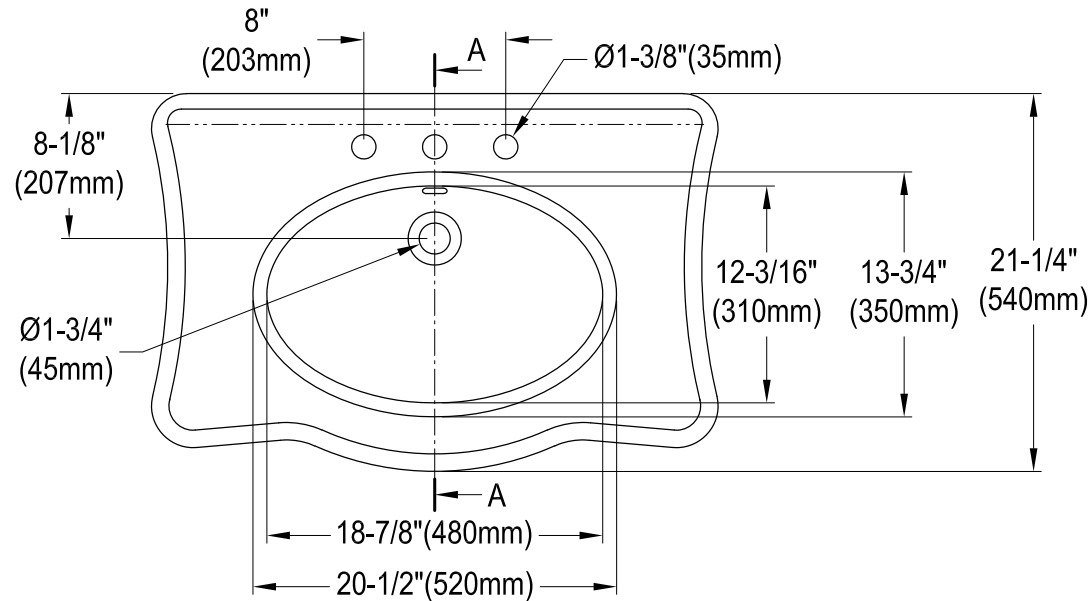
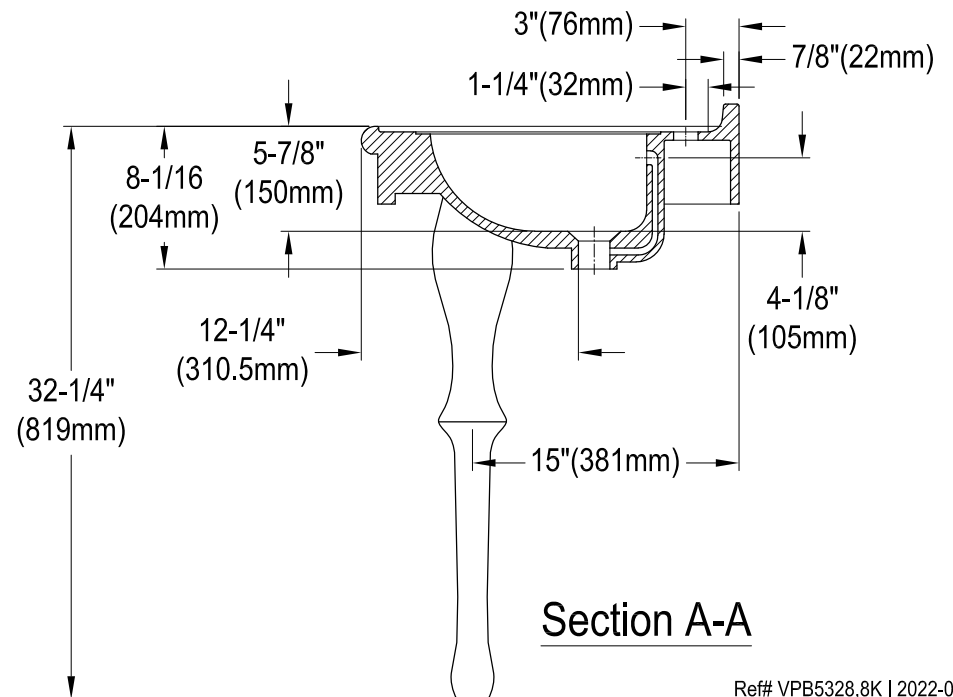
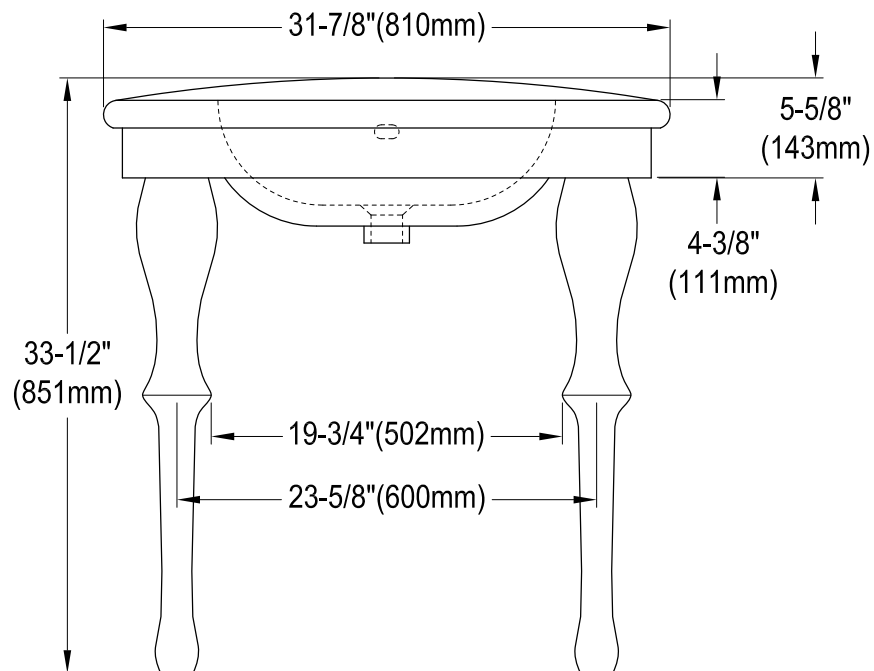
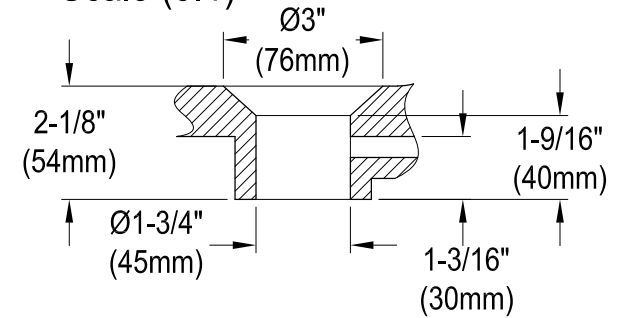


# VPB5328,8K

32" Ceramic Console Sink



## Drain Hole Size Scale (3:1)



## Section A-A