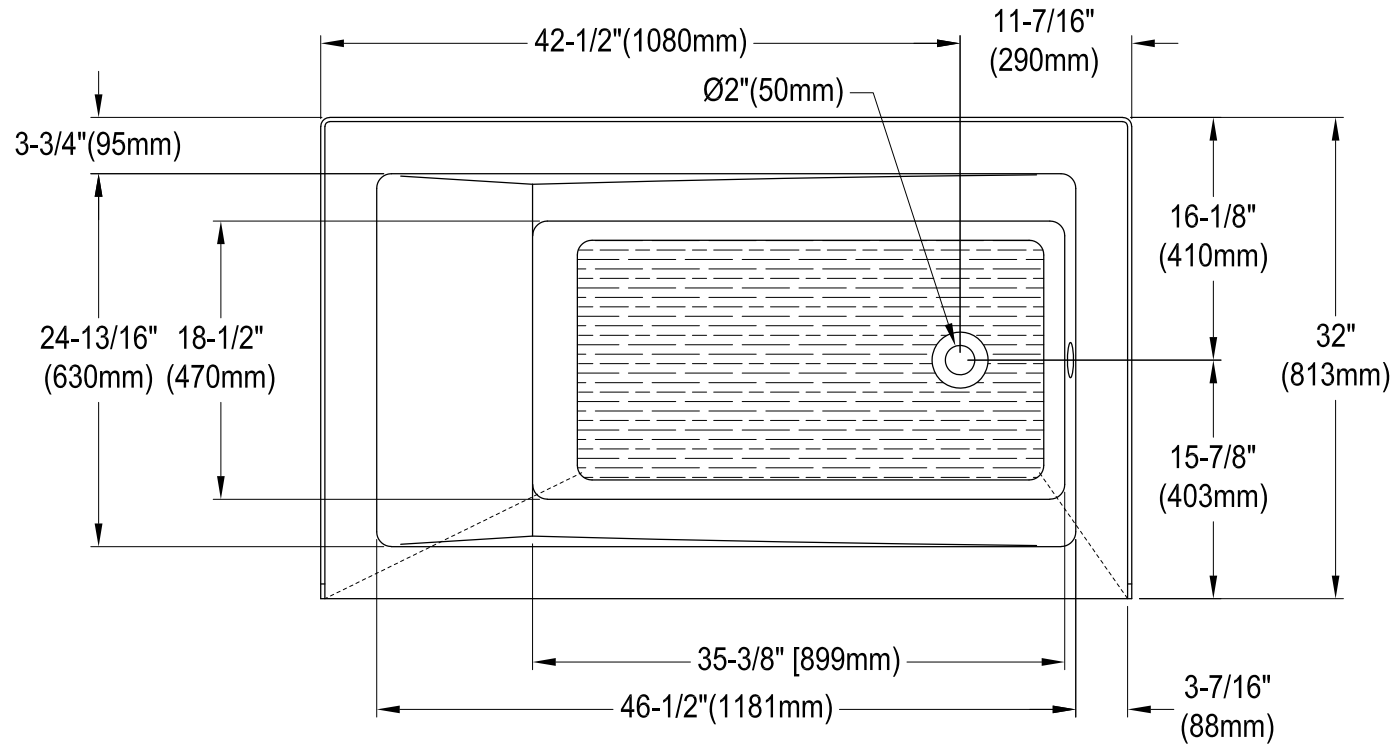
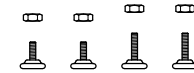


# VTAM5432R22D

54" Acrylic Anti-Skid Alcove Tub With Right Hand Drain Hole



M10 x 60 (2 pcs)  
M10 x 45 (2 pcs)



**Drain Hole Size**  
(Scale 3:1)

