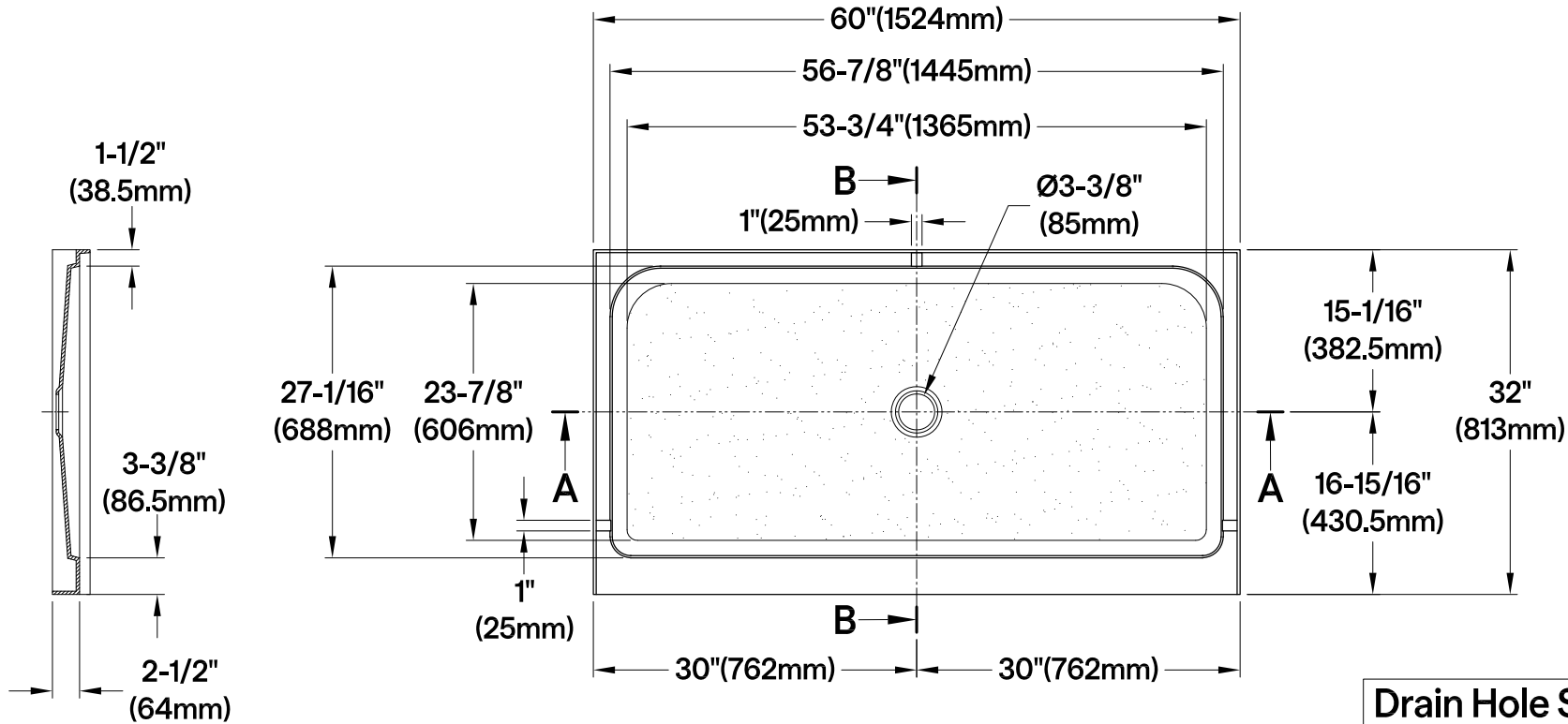
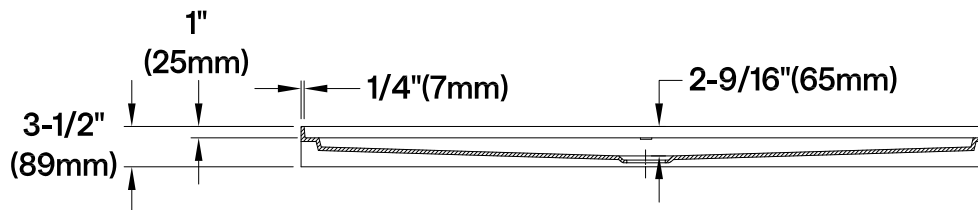
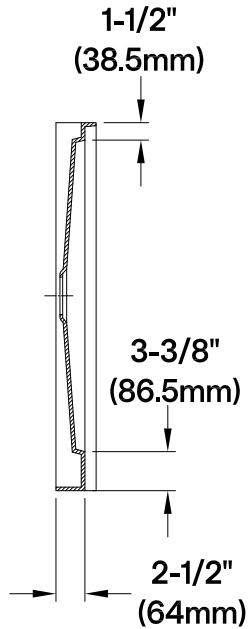


# VTSB60324TC

## 60" Anti-skid Acrylic Shower Base



**Section B-B**



**Section A-A**

